

When you think of ISCO Industries, think of solutions from a diverse inventory available for your WWTP and odor control system.



Your one stop source for pipe, fittings, equipment, custom fabrications and technical support

ISCO Solutions for Waste Water Treatment Plant Yard Piping and Odor Control Systems

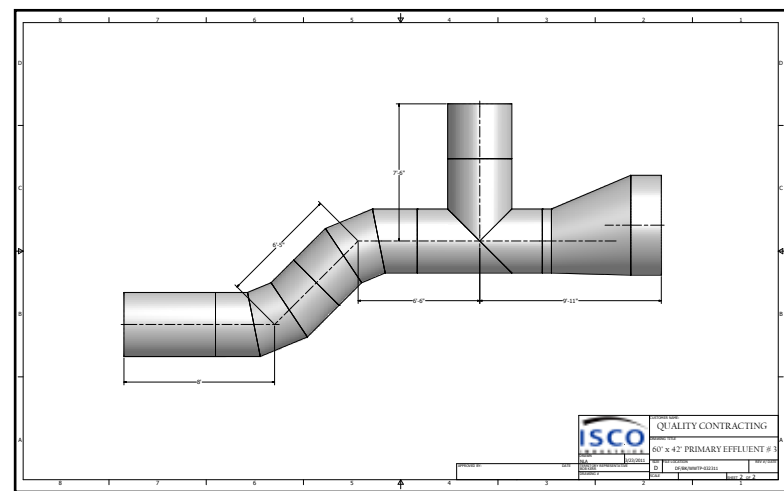
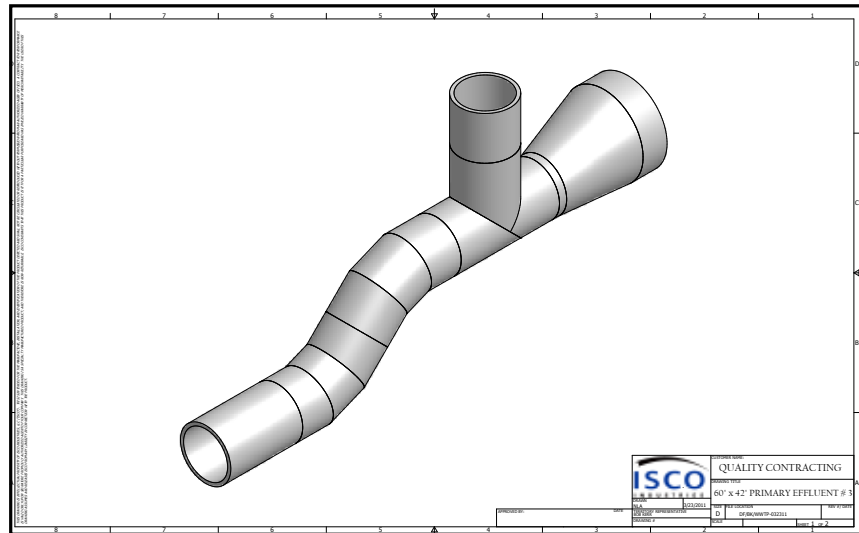
For more information. Just call...

1-800-345-ISCO



CORPORATE HQ

ISCO Industries, LLC
926 Baxter Avenue
Box 4545
Louisville, Kentucky 40204
Tel. **800.345.4726**
Fax **800.831.4726**
www.isco-pipe.com



Odor control piping and WWTP yard piping capabilities from small to large-diameter pipe



Coming through.
www.isco-pipe.com

WWTP & ODOR CONTROL SYSTEMS

ISCO Industries

ISCO Industries was founded in 1962 and has grown into a total piping solutions provider, offering custom fabricated piping products and supplying pipe, fittings, fusion equipment and “know how.” Owners, engineers and contractors have come to trust ISCO’s experienced, knowledgeable and helpful staff with their most demanding and critical piping system needs.



ISCO has worked with top manufacturers to develop and market larger and better-quality HDPE products. Today ISCO’s pipe products are available in various sizes up to 120” in diameter. Using only the highest quality products produced from fully pressure rated resins, ISCO can help you determine the most cost-effective and trouble-free products for your next waste water treatment plant (WWTP) or odorous air piping project.

Call us today at **1-800-345-ISCO [4726]** and get the ISCO piping team experts working for you.

WWTP & Odor Control Systems

With the development of truly large diameter HDPE piping systems, designers of waste water treatment plant and odor control system projects are increasingly turning to HDPE as the solution to long troublesome corrosion and leakage issues. To provide enhanced services in this area, ISCO offers diverse yard piping solutions for most project.

The highly aggressive action of hydrogen sulfide (H_2S) in a wastewater environment can act to severely reduce the service life of piping materials such as ductile iron and concrete, resulting in leakage and premature failure. ISCO’s products are highly resistant to H_2S corrosion and have a long trouble-free service expectancy.

In addition to superior performance, ISCO’s piping products are often your most cost-effective option. Due to the thermoplastic nature of HDPE, fabrication of fittings, structures and other components is cost-effective and offers virtually unlimited design options. Also, due to its light weight (10% or less compared with PCCP and other concrete products), ISCO’s HDPE products are easier to maneuver and require smaller construction equipment. In the often crowded underground environment of WWTP and odorous air piping upgrade and expansion projects maneuverability and small equipment needs are an attractive feature.

HDPE Advantages in WWTP & Odor Control Systems

HDPE Pipe and Fittings

- Corrosion and chemical resistant
- Light weight
- Multiple joining options
- Hydraulic efficiency
- Exceptional service life
- Impact resistant
- 100% leak-free restrained joints
- Flexibility of design
- Environmental protection
- Cost effectiveness
- Abrasion resistant
- High strength
- Long-term durability
- Installation efficiency

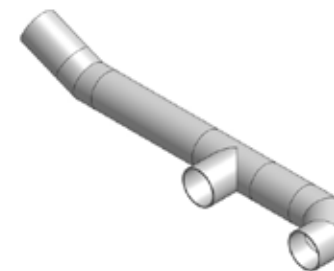


ISCO sells all the HDPE pipe and fittings needed to complete your odor control system up to 120” ID. HDPE pipe is also available in various lengths and pressure ratings. Fittings include: elbows, wyes, tees, concentric & eccentric reducers, end caps and more.

Fabrication Capabilities & Design Assistance

If you think it, if you draw it – ISCO’s fabrication specialists will turn any idea or specification into a operational piping system or structure. Whatever you need, ISCO’s expert fabricators can turn your idea into reality. We’ve helped engineers and design/build contractors with quality, industry-leading customized fabrication across many applications, delivering complete systems to the field that require fewer welds – saving time and budget.

ISCO’s engineers and sales professionals fully understand the capabilities of HDPE systems. Whether you need a manhole, tank or any other fabricated HDPE component, our staff can help you determine the most effective and efficient way to accomplish your objectives.



Fusion Technicians and Training

Having the right equipment for the job is just as important as having the right pipe, fittings and fabrications. That’s why ISCO offers the industry’s largest selection of fusion equipment available from the best manufacturers - for purchase or rental. We also provide experienced, factory-trained fusion technicians to accompany any purchased or leased machine for fusion services or on-site training nationwide. These technicians are also OSHA and Confined Space Certified.

Connections in the Field

ISCO is your primary source for multiple methods of connecting a HDPE system in the field.

Socket Fusion Tooling – ISCO stocks and sells all socket fusion tooling including heaters, heater adapter sets, chamfer tools, and cold ring tools.

Extrusion Welding – ISCO stocks and sells Wegener Welding extrusion welding products and accessories for joining HDPE.

Electrofusion – ISCO stocks and sells both Friatec and Central Electrofusion couplings and processors nationwide for connecting HDPE pipe in the field. Additionally, many products are available with Integral electrofusion joints on pipe and fittings.

Butt Fusion – ISCO sells, rents and refurbishes equipment ideal for any job.

Mechanical Connections – ISCO stocks and sells flanged connections and couplings.

